



RB521S-30

SURFACE MOUNT SCHOTTKY BARRIER RECTIFIER

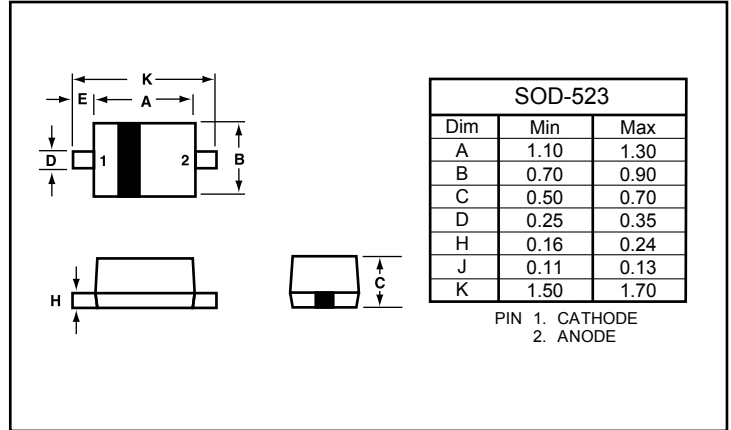
Reverse Voltage - 30 Volts Forward Current - 200 mAmpere

FEATURES

- Low Turn-on Voltage
- Fast Switching
- Ultra-small surface mount package.
- PN Junction Guard Ring for Transient and ESD Protection

MECHANICAL DATA

- Case: SOD-523, Molded Plastic
- Terminals: Plated Leads Solderable per MIL-STD-202, Method 208
- Polarity: Cathode Band



Maximum Ratings @ $T_A=25^\circ\text{C}$ unless otherwise specified

Rating	Symbol	Value	Units
Peak Reverse Voltage	V_{RM}	30	V
Continuous Reverse Voltage	V_R	30	V
Continuous Forward Current	I_F	200	mA
Non-repetitive Peak Forward Current, 60Hz Half Sine-Wave	I_{FSM}	1	A
Total Power Dissipation (Note 1)	P_{tot}	200	mW
Operating Junction Temperature Range	T_J	-55 to +125	$^\circ\text{C}$
Storage Temperature Range	T_{stg}	-55 to +150	$^\circ\text{C}$

Note 1. FR-5 Board 1.0 x 0.75 x 0.062 in.

Electrical Characteristics @ $T_A=25^\circ\text{C}$ unless otherwise specified

Parameter	Symbol	Conditions	Min	Typ	Max	Units
Forward Voltage (Note 2)	V_F	$I_F = 200\text{mA}$	-	-	0.5	V
Reverse Leakage Current	I_R	$V_R = 10\text{V}$	-	-	30	μA
Total Capacitance	C_T	0Vdc Bias, $f = 1\text{ MHz}$	-	26.6	35	pF

Note 2. Short duration pulse test to avoid self-heating effect



RB521S-30

RATINGS AND CHARACTERISTIC CURVES

